

# Residual Pose: A Decoupled Approach for Depth-based 3D Human Pose Estimation

Angel Martínez-González<sup>\*†</sup>, Michael Villamizar<sup>\*</sup>, Olivier Canévet<sup>\*</sup> and Jean-Marc Odobez<sup>\*†</sup>

**Abstract**— We propose to leverage recent advances in reliable 2D pose estimation with Convolutional Neural Networks (CNN) to estimate the 3D pose of people from depth images in multi-person Human-Robot Interaction (HRI) scenarios. Our method is based on the observation that using the depth information to obtain 3D lifted points from 2D body landmark detections provides a rough estimate of the true 3D human pose, thus requiring only a refinement step. In that line our contributions are threefold. (i) we propose to perform 3D pose estimation from depth images by decoupling 2D pose estimation and 3D pose refinement; (ii) we propose a deep-learning approach that regresses the residual pose between the lifted 3D pose and the true 3D pose; (iii) we show that despite its simplicity, our approach achieves very competitive results both in accuracy and speed on two public datasets and is therefore appealing for multi-person HRI compared to recent state-of-the-art methods.

## I. INTRODUCTION

3D human pose estimation is an essential part of many applications involving human behavior analysis, like 3D scene understanding, social robotics, visual surveillance and gaming. For instance, in social HRI, the ability to sense the 3D pose of humans provides to the robot the means to further recognize their activity or evaluate their interaction engagement. However, although 3D pose estimation has been a very important topic of research, factors like person self occlusions, pose variations, sensing conditions and low computational budget increase the challenge of deploying accurate, reliable and efficient 3D pose estimation systems.

**State-of-the-art.** Early approaches on 3D human pose estimation detect body landmarks in the image that are then coupled with 3D human pose priors that account for body kinematics and physical constraints [20], [18]. Nowadays, Deep Neural Networks (DNN) have become the mainstream approach, which lead to the emergence of a large number of methods to address 3D pose estimation from color [4], [12], [23] and depth images [7], [17], [15], [19], [22].

From a methodological perspective, methods can nevertheless be grouped into two main threads: fitting and learning methods. The former ones extend earlier works, but rather use CNNs to localize 2D body parts, and then fit a 3D body pose model along with constraints via an optimization objective defined in the image domain [2] or in the 2D-to-3D joint space [11], [4], [23]. Learning based methods take advantage of the recent DNNs to directly predict and regress the 3D locations of the body parts with fully connected networks [6], [12]. Although simple, the 3D coordinate

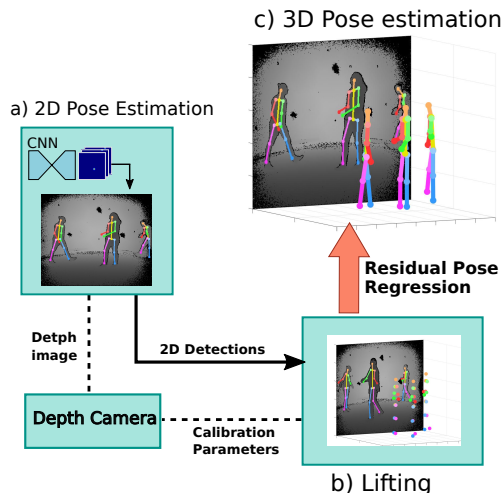


Fig. 1: Proposed decoupled residual pose approach: a) bottom-up multi-person 2D pose detection; b) for each detected person, 2D body joints are lifted to the 3D space. c) 3D pose estimation using a residual pose regression network.

regression has proved to be an effective and efficient solution. Moreover, information about pose kinematics can be incorporated as an additional limb loss [21], using a structured prediction layer [1], or via a re-projection regularizer [10], [24]. However, a drawback of these models is that they predict the 3D coordinates with respect to a root joint that is assumed to be known in advance, or which in practice needs to be predicted as well.

The depth data modality has also been largely exploited, since compared to color images it is texture and color invariant, and helps to remove the ambiguities in scale and shape by providing direct access to 3D information. As with color, some methods tend to rely on fitting approaches, for instance by identifying one-to-one relationships between cloud points and a 3D mesh via Iterative Closest Point (ICP) [26] or using random forest [22]. Other approaches model the 3D location distributions of 3D points with respect to their parents in a kinematic tree [9], [19]. As a typical example, the seminal work of Shotton [19] employed random forests to classify depth pixels into different human joints and used weighted voting to estimate their 3D locations. Deep learning also improved upon these works [7], [15], [5], [25]. In [7], multi-view human pose estimation is solved by learning a view invariant feature space and iteratively refining the 3D coordinates with a Recurrent Neural Network (RNN). In [15] depth images are transformed into a voxelized

<sup>\*</sup> Idiap Research Institute, Switzerland. {angel.martinez, michael.villamizar, olivier.canevet, odobez}@idiap.ch

<sup>†</sup> École Polytechnique Fédérale de Lausanne (EPFL), Switzerland.

representation and 3D Gaussian likelihoods are predicted for each body joint per voxel using a costly 3D-CNN. However, these methods usually work on image crops centered around the person. As a consequence, to handle the multi-person case, a person detector is still needed as a first step, followed by multiple forward passes of a relatively heavy image processing network to estimate the 3D pose of each detected person, leading to an increased computational cost.

**Approach and contributions.** An overview of our approach for accurate and fast multi-person 3D pose estimation is presented in Fig. 1. Our main idea is to better exploit the depth information and decouple the task in two main steps: 2D multi-person pose estimation and 3D pose regression. The motivations are that the first step can benefit from recent accurate and efficient architectures to achieve this task, and that the second one can be done efficiently by directly regressing the 3D pose coordinates from the 2D ones in two substeps: a simple but effective scheme which lifts the 2D estimates to 3D using the depth information and pose priors (to handle partial occlusion); and a novel efficient residual pose 3D regression methods that works on this set of points. This makes our approach computationally lighter for multi-person HRI settings since compared to CNNs applied to image crops for 3D pose prediction, the cost of our 3D regression scheme is much smaller, and the cost saving is proportional to the number of person in the scene. In this context, our contributions can be summarized as:

- we investigate an innovative method decoupling the 3D pose estimation task into an accurate and efficient CNN-based 2D bottom-up multi-person pose estimation method and 3D pose regression;
- we propose a simple 2D-to-3D lifting scheme which handles 2D body joint miss detections;
- we introduce a novel method for 3D pose regression from lifted 2D estimates by relying on a residual-pose deep-learning architecture;
- we demonstrate that despite its simplicity, our approach achieves very competitive results on different public datasets and is suitable for multi-party HRI scenarios.

Models and code will be made publicly available<sup>1</sup>. The paper is organized as follows: Section II introduces our strategy for 2D pose estimation and lifting. Section III presents our approach and regressor neural network architecture for residual pose learning. Experiments are described in Section IV, and Section V presents our conclusions.

## II. EFFICIENT 2D POSE ESTIMATION AND LIFTING

This section describes the CNN architectures used for accurate bottom-up 2D pose estimation and our proposed method for 2D-to-3D body joint lifting and for handling miss-detections due to (self-)occlusion or failures.

### A. CNN-based 2D Pose Estimation

We follow recent breakthroughs in multi-person 2D pose estimation that use a CNN to predict confidence maps  $\rho(\cdot)$

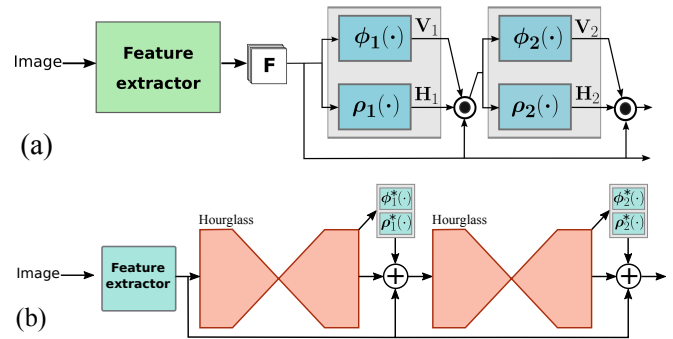


Fig. 2: CNN architectures used for 2D pose estimation. (a) Pose Machine architecture implemented by RPM and MPM [14]. (b) Our extension of the Hourglass network for multi-person 2D pose estimation.

for the location of the body landmarks in the image and part affinity fields  $\phi(\cdot)$  for the location and orientation of the limbs [3]. We analyze different CNN architectures and the impact of their 2D estimates on the quality of the 3D pose.

Three architectures are considered. The two firsts are the efficient pose machines based on residual modules (RPM) and the one based on MobileNets (MPM) introduced in [14]. These are lightweight CNNs that refine predictions with a series of prediction stages and are designed for efficient 2D pose estimation with real-time performance, see Fig.2 (a). Additionally, we consider the Hourglass network architecture [16] which was originally proposed for single person pose estimation. It comprises a series of UNet-like networks that process image features at different semantic levels. We follow the original design but adapt the output to predict part affinity fields to match our multi-person scenario by branching a duplicate of the confidence maps prediction layers (Fig.2 (b)).

### B. Pose lifting

Given 2D landmark detections, we use their corresponding depth values  $Z$  to lift them according to  $\bar{x} = Z \cdot K \cdot (x_{img}, y_{img}, 1)^T$ , where  $K = \text{diag}(1/f_x, 1/f_y, 1)$  is the depth camera matrix. However, different errors can arise. For example, a 2D detection might have missing depth value due to sensing failures. Additionally, as is common in typical HRI scenarios, self and between-person occlusions will naturally result in missing body detections.

In this paper, in these cases, rather than feeding our regressor with dummy values which might bias estimations, we propose a simple recovery method. First, in case of missing depth values, we use the mean depth of the points with valid depth information in the landmark's vicinity. Second, in case of missed landmark detections, we rely on a 3D pose prior to infer their expected coordinates. However, rather than relying on expensive-to-compute prior [20], we follow a simpler 3D limb prior based on pairwise relationships between limb vectors. Following a tree of limbs from the skeleton and taking the spine limb as root (see Fig. 3(a)), we consider adjacent limbs, encode their 3D direction and length

<sup>1</sup>[https://github.com/idiap/residual\\_pose](https://github.com/idiap/residual_pose)

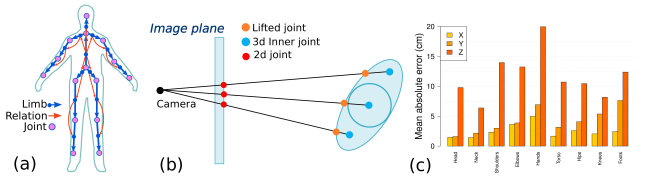


Fig. 3: (a) Skeleton and limb pairwise relationships; (b) illustration of the error introduced by the lifting process of the 2D detected landmarks; (c) mean absolute error on each coordinate when using the 3D lifted points as the 3D estimation on the ITOP dataset.

within a joint Gaussian distribution  $p(l_i, l_{\mathbf{pa}(l_i)})$ , and learn the model parameters from training data. Then, to predict the lifted coordinates  $\bar{x}_i$  of a missed landmark, we consider its associated limb  $l_i$  in the skeleton whose other landmark is already lifted, and compute the mean of the conditional Gaussian distribution  $p(l_i | l_{\mathbf{pa}(l_i)})$  of  $l_i$  conditioned on its limb parent  $\mathbf{pa}(l_i)$  to further compute  $\bar{x}_i$ .

Note that our approach requires some body landmarks to be detected. Indeed, as in our opinion it is unrealistically to attempt determining the complete 3D pose of the person from a few detected body landmarks, e.g. the arm, we assume that at least the spine limb and other two body landmarks in the trunk (shoulders, heads) are detected.

### III. HUMAN 3D POSE ESTIMATION

This section presents our residual-pose learning approach to predict (in a camera coordinate frame) the 3D coordinates of a human skeleton comprising  $J$  body landmarks.

#### A. Residual Pose Learning

Provided the 2D body landmark detections, our lifting step provides a *rough* estimate of the 3D pose. Yet, lifted values will exhibit 3D pose estimation errors, specially since lifted 3D points lie on the depth surface rather than represent the inner joint (see Fig. 3). In this regard, in absence of other sources of errors (missed detections, occlusion, etc.) we can argue that such estimates differ only from the true 3D pose by some coordinate offset. This inspired us to follow a simple yet effective approach to obtain refined estimates from rough lifted estimates.

Our approach can be set as follows: given a *rough* 3D pose estimate  $\bar{\mathbf{x}} \in \mathbb{R}^{J \times 3}$  obtained from the 2D landmark detection lifting step, and its *true* corresponding 3D pose  $\mathbf{x}^* \in \mathbb{R}^{J \times 3}$ , the neural regressor  $f$  can focus on modelling their residual  $\mathbf{x}^* - \bar{\mathbf{x}}$  as:

$$f(\bar{\mathbf{x}}) + \bar{\mathbf{x}} = \mathbf{x}^*. \quad (1)$$

The function  $f(\bar{\mathbf{x}})$  is the residual to be learned. Graphically, these residuals represent the vector of coordinate offsets that are necessary to predict the true 3D pose  $\mathbf{x}^*$  (hence a residual pose). Architecturally speaking, the operation  $f(\bar{\mathbf{x}}) + \bar{\mathbf{x}}$  is performed by a shortcut connection with the identity mapping of  $\bar{\mathbf{x}}$ , as shown in Fig. 4.

Additionally, we can augment  $\bar{\mathbf{x}}$  by incorporating the confidence of the 2D detections provided by the 2D pose

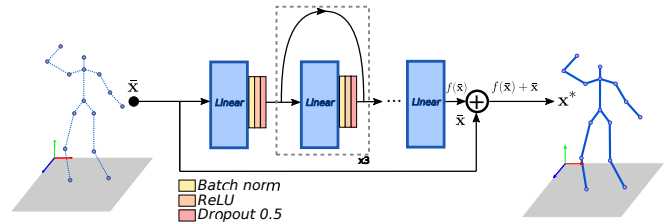


Fig. 4: Residual pose learning framework. Our neural network regressor receives as input a lifted 3D pose  $\bar{\mathbf{x}}$ . Due to the global skip connection, the regressor has to predict the residual pose  $f(\bar{\mathbf{x}})$  to be added to  $\bar{\mathbf{x}}$  to predict the true 3D pose. The building block of our neural network regressor is a linear layer followed by batch normalization, ReLU activations and dropout, and with a skip connection.

estimation CNN. This will add an extra dimension for each detected landmark  $\bar{\mathbf{x}} \in \mathbb{R}^{J \times 4}$ . In such case the shortcut connection works as a pooling layer that removes the extra dimension to match the one of  $\mathbf{x}^*$ . We analyze this particular case in Section IV.

#### B. Neural Network Regressor

We aim to find a simple and efficient network architecture  $f$  that performs well enough in the regression task. Fig.4 shows a diagram with the basic building blocks of our architecture. It is a multi-layer network consisting on a series of fully-connected layers, each followed by batch normalization, ReLU activations and dropout layers. The first layer receives as input the lifted pose  $\bar{\mathbf{x}}$  and outputs 2048 features. This number of features are kept fixed until the output layer that generates the residual pose vector in  $\mathbb{R}^{J \times 3}$ . Each of the inner layers have skip connections. One can normally squeeze as many inner layers  $S$  to make the regressor deeper. However, in this paper we set  $S = 3$ .

#### C. Pose Learning Loss

Let  $\hat{\mathbf{x}} = f(\bar{\mathbf{x}}) + \bar{\mathbf{x}}$  be the 3D pose prediction. We use the following loss to train our neural network regressor

$$L_{res} = \frac{1}{J} \sum_{i=1}^J \|\hat{\mathbf{x}}_i - \mathbf{x}_i^*\|_1, \quad (2)$$

where  $\mathbf{x}_i^*$  is the ground truth of the body landmark  $i$  and  $\hat{\mathbf{x}}_i$  is the 3D prediction for such landmark. In our experiments we use the smooth L1 norm as we found out that it works better than the L2 or plain L1 norms.

## IV. EXPERIMENTS

We conducted several experiments to evaluate our approach effectiveness in single and multi-person scenarios.

#### A. Depth-image datasets

**ITOP [7].** This dataset consists of images in a single person pose estimation setting. It has 18k and 5k depth images for training and testing, respectively, recorded with an Asus

Xtion camera. It was built from 20 subjects performing 15 different actions each.

**CMU-Panoptic [8].** It comprises multiple recordings acquired with different sensor devices such as color and depth cameras (Kinect2). We consider a subset of the depth recordings from the *Haggling* category. The setup contains several interacting people with diverse body pose configurations with respect to the camera and between-person interactions. For training we selected 15k 3D person instances from the sequence 170407\_haggling\_a3 for training. For testing 1.5k 3D person instances were selected from the sequence 170407\_haggling\_b3.

### B. Evaluation metrics

**Mean average precision (mAP).** As standard practice in 3D human pose estimation, we use mean average precision at 10 cm (mAP@10cm) to measure the 3D detection performance. A successful detection is considered when the detected 3D body landmark falls within a distance less than 10 cm from the ground truth. We report the average precision (AP) for individual body landmarks and to measure the overall performance, the mean average precision (mAP) defined as the mean of the APs of all body landmarks. Larger values are better.

**Mean per joint position error (MPJPE).** It measures the average error in Euclidean distance between the detected 3D body landmarks and the ground truth. Lower values are better. We report MPJPE in centimeters for each body landmark and their mean for the overall performance (mMPJPE).

**Percentage of correct keypoints (PCK).** We use PCK to evaluate the performance of the 2D pose estimation task. It relies in the precision and recall that result from the percentage of correct detected keypoints (body landmarks). We follow the evaluation protocol presented in [13]. For each joint (e.g. knee), true positives, false positives, and false negatives are counted using a radius obtained according to the height of the bounding box (ground truth) containing the person. Then, the precision and recall rates are calculated by averaging the above values over a set of varying radius, body landmarks, and dataset samples.

### C. Implementation details

**Image pre-processing.** We normalize the depth images by linearly scaling the depth sensor values in  $[0, 8]$  meter range into the  $[-0.5, 0.5]$  range.

**2D CNN architectures and training.** We keep the performance-efficiency trade-off reported in [14] and experiment with RPM with 2 stages and MPM with 4 stages. We configure the Hourglass architecture (HG) to 2 stages as it was shown that performance saturates at this point [16].

We train the 2D pose estimation CNNs using Adam. To avoid overfitting due to the low number of depth images in the addressed datasets, and increase the 2D pose performance, we train the networks for 13 epochs with the large synthetic people dataset introduced in [13]. Then, the CNNs are

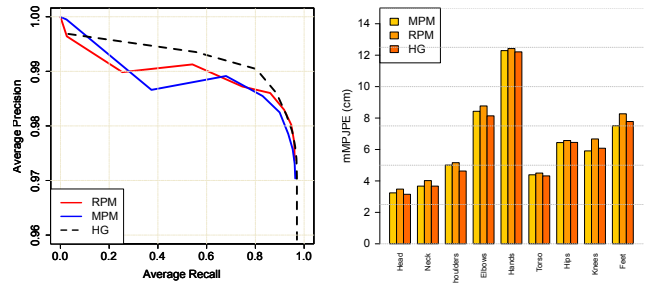


Fig. 5: Performance of the different CNNs for 2D pose estimation. Left: 2D pose estimation performance measured with recall and precision curves. Right: resulting 3D estimation pose performance in terms of MPJPE for each body part. The lower the better.

CNN model	MPM	RPM	HG
FPS	84	35	18
# Params	304.9K	2.84M	12.9M
F-Score (2D)	0.96	0.96	<b>0.97</b>
mAP@10cm	85.61	85.96	<b>85.97</b>
mMPJPE	6.83	7.18	<b>6.78</b>

TABLE I: 2D and 3D pose estimation performance obtained for the different 2D CNN architectures and their computational complexity.

finetuned using the real dataset (ITOP or CMU-Panoptic) for 100 epochs.

**Residual Pose Regressor.** We train our neural network regressor for 200 epochs using Adam and minibatches of size 128. We apply standard normalization to the 3D lifted pose and the 3D ground truth pose by subtracting the mean and dividing by the standard deviation. We select  $1e-3$  as initial learning rate and decrease it by 2 every 20 epochs.

### D. Experimental results

**2D Pose Network Architectures.** We evaluate the quality of the 2D pose predictions for the 3D pose estimation task in the ITOP dataset. Fig. 5 shows the 2D pose estimation performance curves and the 3D pose error in terms of MPJPE for the different CNNs. Table I summarizes these results with the maximum F-Score obtained for 2D pose estimation, and the mAP and mMPJPE for 3D pose prediction. Indeed, providing better 2D pose estimates reflects directly in the 3D performance. Overall the HG 2D detections provide the best 3D estimates achieving the lowest mMPJPE and better mAP. We select the HG network for the rest of the analysis.

**Computational Requirements.** Table I reports the number of parameters of each CNN and the frames per second (FPS) required for the forward pass in a single Nvidia card GTX 1050. Note that the FPS is also valid for the multi-person case since the CNNs predict the pose for each individual in the image in a single forward pass. Additionally, the neural network regressor requires 12.7M parameters but runs at 1700 FPS, so its cost, even when applied for multiple person, is negligible compared to that of a 2D pose CNN. Hence our

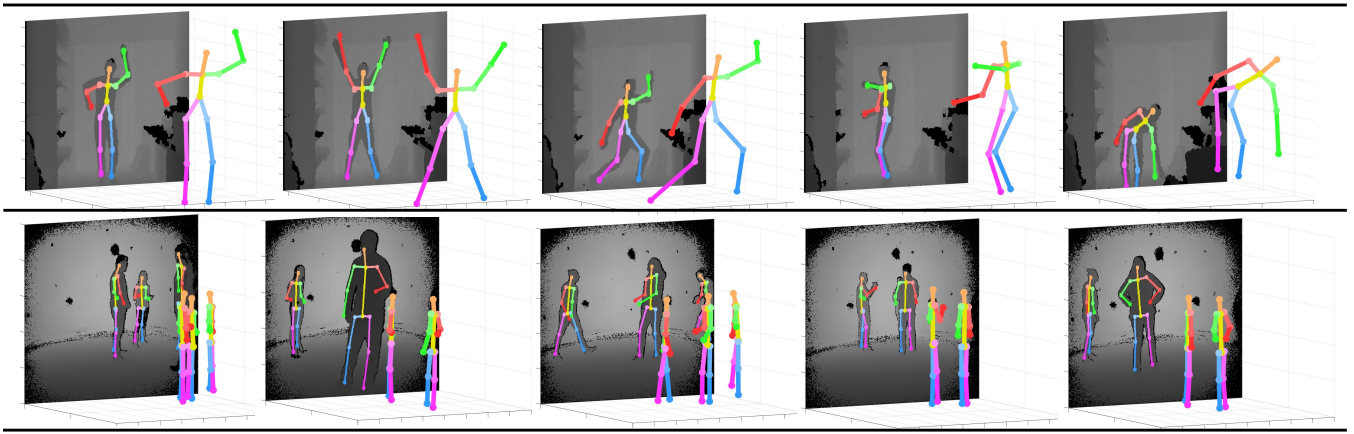


Fig. 6: 3D pose estimation examples and their 2D projection of our approach on the single person ITOP dataset (top row) and the multi-person CMU-Panoptic dataset (bottom row).

		ITOP (front-view)							
		AP@10cm							
Body part	[9]	[7]	[5]	[15]	<b>R-Pose</b>	<b>R-Pose*</b>	<b>R-Pose<sup>-</sup></b>	C-Reg	
Head	97.8	98.1	<b>98.7</b>	98.29	98.27	98.13	98.33	97.8	
Neck	95.8	97.5	<b>99.4</b>	99.07	98.6	98.56	98.5	98.66	
Shoulders	94.1	96.5	96.1	<b>97.18</b>	95.34	95.2	92.78	95.64	
Elbows	77.9	73.3	74.7	<b>80.42</b>	76.52	75.89	74.38	74.24	
Hands	<b>70.5</b>	68.7	55.2	67.26	61.69	61.28	59.98	55.01	
Torso	93.8	85.6	98.7	<b>98.73</b>	98.56	98.64	98.62	97.57	
Hips	80.3	72	91.8	<b>93.23</b>	90.07	90.31	89.4	87.09	
Knees	68.8	69	89	<b>91.80</b>	89.13	88.93	88.82	88.29	
Feet	68.4	60.8	81.1	<b>87.6</b>	84.28	83.52	83.66	83.99	
Mean (mAP)	80.5	77.4	84.9	<b>88.74</b>	85.97	85.71	84.9	84.17	
		CMU-Panoptic							
		MPJPE (cm)				AP@10cm			
Body part	<b>R-Pose</b>	<b>R-Pose*</b>	<b>R-Pose<sup>-</sup></b>	C-Reg	<b>R-Pose</b>	<b>R-Pose*</b>	<b>R-Pose<sup>-</sup></b>	C-Reg	
Head	<b>6.59</b>	6.78	10.17	11.17	96.4	<b>96.67</b>	79.47	72.33	
Neck	<b>7.29</b>	7.45	8.5	11.68	<b>96.53</b>	96.2	92.13	74.07	
Shoulders	<b>8.55</b>	8.66	10.96	14.38	<b>87.17</b>	85.6	77.17	54.33	
Elbows	14.52	<b>14.19</b>	23.86	20.2	59.17	<b>61.97</b>	38.3	28.93	
Hands	<b>27.85</b>	27.96	31.16	26.37	16.63	17.47	<b>17.77</b>	6.37	
Torso	9.06	<b>8.51</b>	9.92	11.93	<b>93.27</b>	92.67	87.6	67.53	
Hips	<b>8.57</b>	8.67	12.16	12.99	<b>91.97</b>	90.27	70.1	66.1	
Knees	<b>9.24</b>	9.43	14.72	13.96	<b>81.8</b>	80.6	58.67	52.33	
Feet	11.26	<b>11.19</b>	18.8	15.54	<b>70.77</b>	70.5	52.17	48.27	
Mean	<b>12.2</b>	<b>12.2</b>	16.79	16.11	<b>73.41</b>	73.22	59.17	48.44	

TABLE II: 3D pose estimation performance. Top: mAP of the state-of-the-art on single person pose estimation setting in the ITOP dataset, Bottom: mAP and mMPJPE for the multi-person pose estimation setting in the CMU-Panoptic dataset.

proposed approach can run very efficiently in real-time in a single GPU.

**Comparison with the state of the art.** Table II compares the detailed AP scores for each body landmark of our proposed approach (**R-Pose**) with the state of the art in the ITOP dataset. Overall our residual pose learning approach shows very competitive results obtaining the second best performance. The best performing work is [15] that processes voxelized representations of the 3D space processed with a 3D CNN, and uses an ensemble of 10 models for the final prediction. Contrary, our residual pose approach is simpler and efficient. Example results are shown in Fig. 6 (top row).

**Multi-person 3D pose estimation.** Table II reports AP and MPJPE for the multi-person setting in the CMU-Panoptic

dataset. Naturally the ranges of pose profile, multiple scales, and the quality of sensing make this setup more challenging than the single person pose setting. The more affected body landmarks are the hands and elbows with lower AP and larger MPJPE. Note these are the elements that are in constant motion and are more affected by self occlusions, compared to other elements like the torso and head. Fig. 6 shows prediction examples.

**Recovery from 2D Failures.** We report the results of removing the prior recovery component introduced in Section II-B. Table II shows the performance for the single and multi-person settings (**R-Pose<sup>-</sup>**). The performance drops specially for the multi-person scenario.

**2D Landmark Detection Confidence.** We incorporated the

confidence of the 2D detections provided by the CNN that range in  $[0, 1]$  in our residual pose learning setting. When a landmark was recovered by the process of Section II-B, we set a low confidence value of  $\sigma = 0.1$  to identify them from the rest. The results are reported in Table II (**R-Pose\***). The mAP slightly decreases in this case. However, in the multi-person setting some specific elements (head, elbows, hands) have slightly better detection rate.

**Coordinate Regression.** We experimented with 3D coordinate regression using the neural network architecture introduced in Section III-B and predict  $X, Y, Z$  coordinates of the body landmarks from lifted 2D detections, dropping the residual pose connection. Table II compare these results (C-Reg) with our residual pose approach. The performance drops for both single and multi-person settings. Certainly when people appear roughly in the same position, as the case in ITOP dataset, 3D coordinate regression presents a good alternative. However, our residual pose approach outperforms 3D coordinate regression in both, single and multi-person settings.

## V. CONCLUSIONS

In this paper we addressed the problem of 3D pose estimation from depth images. We decoupled 2D and 3D pose estimation and predict the 3D pose from lifted 2D detections. We proposed a residual-pose regression learning to predict the 3D pose by refining lifted detections. We introduced a pairwise 3D limb prior to recover from 2D detection failures and analyse the incorporation of 2D detection confidence in our pipeline. Despite the simplicity of our approach we achieve competitive results in two public datasets for single and multi-person pose estimation. Our method propose a more efficient alternative for multi-party HRI settings.

Our study opens the way for new research. One limitation of our model is that it does not consider the skeleton kinematics in the learning process. Additionally, body motion modelling can be introduced to introduce temporal consistency in our 3D predictions.

**Acknowledgments:** This work was supported by the European Union under the EU Horizon 2020 Research and Innovation Action MuMMER (MultiModal Mall Entertainment Robot), project ID 688146, as well as the Mexican National Council for Science and Technology (CONACYT) under the PhD scholarships program.

## REFERENCES

- [1] Emre Aksan, Manuel Kaufmann, and Otmar Hilliges. Structured prediction helps 3d human motion modelling. In *The IEEE International Conference on Computer Vision (ICCV)*, Oct 2019.
- [2] Federica Bogo, Angjoo Kanazawa, Christoph Lassner, Peter Gehler, Javier Romero, and Michael J. Black. Keep it smpl: Automatic estimation of 3d human pose and shape from a single image. In *Computer Vision – ECCV 2016*, pages 561–578, 2016.
- [3] Zhe Cao, Tomas Simon, Shih-En Wei, and Yaser Sheikh. Realtime multi-person 2d pose estimation using part affinity fields. In *CVPR*, 2017.
- [4] C. Chen and D. Ramanan. 3d human pose estimation = 2d pose estimation + matching. In *2017 IEEE Conference on Computer Vision and Pattern Recognition (CVPR)*, pages 5759–5767, July 2017.

- [5] Hengkai Guo, Guijin Wang, Xinghao Chen, and Cairong Zhang. Towards good practices for deep 3d hand pose estimation. *arXiv preprint arXiv:1707.07248*, 2017.
- [6] Ikhsanul Habibie, Weipeng Xu, Dushyant Mehta, Gerard Pons-Moll, and Christian Theobalt. In the wild human pose estimation using explicit 2d features and intermediate 3d representations. In *IEEE Conf. on Computer Vision and Pattern Recognition (CVPR)*, 2019.
- [7] Albert Haque, Boya Peng, Zelun Luo, Alexandre Alahi, Serena Yeung, and Li Fei-Fei. Towards viewpoint invariant 3d human pose estimation. In *European Conference on Computer Vision (ECCV)*, 2016.
- [8] Hanbyul Joo, Tomas Simon, Xulong Li, Hao Liu, Lei Tan, Lin Gui, Sean Banerjee, Timothy Scott Godisart, Bart Nabbe, Iain Matthews, Takeo Kanade, Shohei Nobuhara, and Yaser Sheikh. Panoptic studio: A massively multiview system for social interaction capture. *IEEE Transactions on Pattern Analysis and Machine Intelligence*, 2017.
- [9] Ho Yub Jung, Soochahn Lee, Yong Seok Heo, and Il Dong Yun. Random tree walk toward instantaneous 3d human pose estimation. In *CVPR*, pages 2467–2474. IEEE Computer Society, 2015.
- [10] Angjoo Kanazawa, Michael J. Black, David W. Jacobs, and Jitendra Malik. End-to-end recovery of human shape and pose. In *Computer Vision and Pattern Recognition (CVPR)*, 2018.
- [11] Sijin Li, Weichen Zhang, and Antoni B. Chan. Maximum-margin structured learning with deep networks for 3d human pose estimation. In *IEEE International Conference on Computer Vision (ICCV)*, 2015.
- [12] Julieta Martinez, Rayat Hossain, Javier Romero, and James J. Little. A simple yet effective baseline for 3d human pose estimation. In *ICCV*, 2017.
- [13] Angel Martínez-González, Michael Villamizar, Olivier Canévet, and Jean-Marc Odobez. Real-time convolutional networks for depth-based human pose estimation. In *2018 IEEE/RSJ International Conference on Intelligent Robots and Systems, IROS*, 2018.
- [14] Angel Martínez-González, Michael Villamizar, Olivier Canévet, and Jean-Marc Odobez. Efficient convolutional neural networks for depth-based multi-person pose estimation. *IEEE Transactions on Circuits and Systems for Video Technology*, 2019.
- [15] Gyeongsik Moon, Juyong Chang, and Kyoung Mu Lee. V2v-posenet: Voxel-to-voxel prediction network for accurate 3d hand and human pose estimation from a single depth map. In *The IEEE Conference on Computer Vision and Pattern Recognition (CVPR)*, 2018.
- [16] Alejandro Newell, Kaiyu Yang, and Jia Deng. Stacked hourglass networks for human pose estimation. In *European Conference on Computer Vision*, 2016.
- [17] Georgios Pavlakos, Xiaowei Zhou, Konstantinos G Derpanis, and Kostas Daniilidis. Coarse-to-fine volumetric prediction for single-image 3D human pose. In *Proceedings of the IEEE Conference on Computer Vision and Pattern Recognition*, 2017.
- [18] Varun Ramakrishna, Takeo Kanade, and Yaser Sheikh. Reconstructing 3d human pose from 2d image landmarks. In *European Conference on Computer Vision*, 2012.
- [19] Jamie Shotton, Ross Girshick, Andrew Fitzgibbon, Toby Sharp, Mat Cook, Mark Finocchio, Richard Moore, Pushmeet Kohli, Antonio Criminisi, Alex Kipman, and Andrew Blake. Efficient human pose estimation from single depth images. *Trans. PAMI*, January 2012.
- [20] L. Sigal, M. Isard, H. Haussecker, and M. J. Black. Loose-limbed people: Estimating 3D human pose and motion using non-parametric belief propagation. *International Journal of Computer Vision*, 98(1):15–48, May 2011.
- [21] Xiao Wei Sun, Jiayang Shang, Shuang Liang, and Yichen Wei. Compositional human pose regression. In *IEEE International Conference on Computer Vision (ICCV)*, 2017.
- [22] Jonathan Taylor, Jamie Shotton, Toby Sharp, and Andrew W. Fitzgibbon. The vitruvian manifold: Inferring dense correspondences for one-shot human pose estimation. In *CVPR*, 2012.
- [23] D. Tome, C. Russell, and L. Agapito. Lifting from the deep: Convolutional 3d pose estimation from a single image. In *IEEE Conf. on Computer Vision and Pattern Recognition (CVPR)*, 2017.
- [24] Bastian Wandt and Bodo Rosenhahn. Repnet: Weakly supervised training of an adversarial reprojection network for 3d human pose estimation. In *CVPR*, 2019.
- [25] Keze Wang, Shengfu Zhai, Hui Cheng, Xiaodan Liang, and Liang Lin. Human pose estimation from depth images via inference embedded multi-task learning. In *Proceedings of ACM on Multimedia*, 2016.
- [26] M. Ye, Xianwang Wang, R. Yang, Liu Ren, and M. Pollefeys. Accurate 3d pose estimation from a single depth image. In *2011 International Conference on Computer Vision*, pages 731–738, Nov 2011.